



GEARPLUS SYN VW300 75W/80

**GL-4
Doill Gear Oil**

Transfer Case and Manuel Transmission Oil

Fully Synthetic

Usage

Doill GEARPLUS SYN VW300 75W/80, is a fully synthetic manual transmission oil formulated with highly refined base oils and superior additives, providing superior performance according to all seasons and providing protection at high level gear shifts. The stability and durability of **Doill GEARPLUS SYN VW300 75W/80** provides the right choice in application areas with API GL-4 service recommendation, SAE 75W/80 viscosity level.

Performansi

Advantages of **Doill GEARPLUS SYN VW300 75W/80** in manual transmission shifts:

- Meets API API GL-4 performance levels.
- Provides long-lasting oil usage.
- Provides oxidation and thermal stability.
- Fully synthetic transmission oil.
- Provides excellent protection against friction for enhanced grip strength.
- It provides easy gear shifts at first start, in cold conditions of transmission temperature.
- Gear shifts are smooth.
- Suitable for all kinds of gaskets and yellow materials used in gearbox design.
- It is anti-corrosion and anti-foam.

Suggestions

Doill GEARPLUS SYN VW300 75W/80, an only be mixed with liquids of similar properties Replace the product with professional assistance. Before using the product, refer to the vehicle owner's manual. You can contact Doill for detailed information about the use of the product.

Features and Specifications

Density @ 15 °C, g/cm ³ , ASTM D4052	0.858
Kinematic Viskosity @ 100 °C, mm ² /s, ASTM D445	9,5
Kinematic Viskosity @ 40 °C, mm ² /s, ASTM D445	56
Viscosity Index, ASTM D2270	154
Color, Aparance, ASTM D1500	Sarı
Flash Point, °C, Cleveland Açık Kap, ASTM D 92	225
Pour Point °C, ASTM D 97	- 42

Features and Specifications

GEARPLUS

SYN VW300 **75W/80**

API GL-4

Bosch TE-ML 08

ZF TE-ML 08

Audi / Seat / Skoda / VW G 052 317, G 052 171, G 052 178, G 052 512 (kuru DCT), G 055 512 (kuru DCT), G 052 726, G 060 726, G 50, GO 52 527, GO 70 726, G 052 549

BMW MTF LT-2, LT-3, LT-4

Fiat 9.55550-MZ12

Ford WSD-M2C200-C; WSS-M2C200-D2, M2C 186-A

GM W16612, 194004 / 19259104; GM 1940182 / 1940764 / 1940768

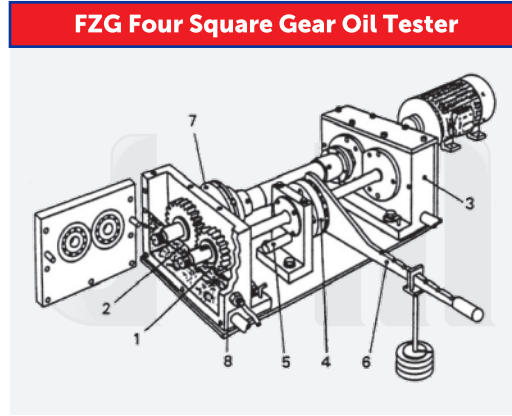
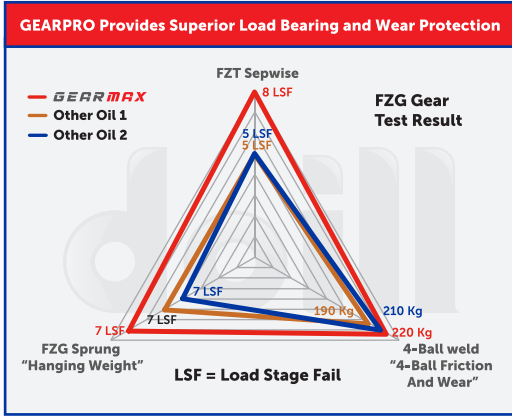
Nissan MT-XZ, MT-XZ TL (JR Tip)

PSA B71 2330, B71 2315, B71 2316 (HBVFE), 9730 A8

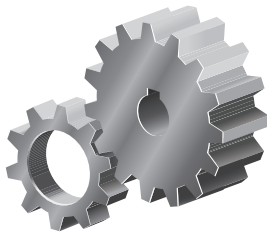
Land Rover Özel Şanzıman Yağı MTF 94

Honda MTF, MTF-II, MTF-III

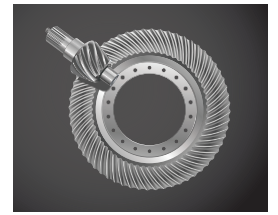
GAERMAX SERIES



Manual Transmission



1. Test Pawn
2. Test Wheel
3. Drive Gear Box
4. Rotary Coupling
5. Locking Pin
6. Load Handle With Weight
7. Torque Indicator
8. Temperature Sensor



Bevel Gear

Doill GEARMAX SYN VW300 75W/80

21 May 2020

Doill, the Doill logo and related marks are trademarks of Doğan Boya Makine Ve Kimya Sanayi Limited Şirketi, used under license.

This data sheet and the information it contains is believed to be accurate as of the date of printing. However, no warranty or representation, express or implied, is made as to its accuracy or completeness. Data provided is based on standard tests under laboratory conditions and is given as a guide only. Users are advised to ensure that they refer to the latest version of this data sheet. It is the responsibility of the user to evaluate and use products safely, to assess suitability for the intended application and to comply with all applicable laws and regulations. Material Safety Data Sheets are available for all our products and should be consulted for appropriate information regarding storage, safe handling, and disposal of the product. No responsibility is taken by for any damage or injury resulting from abnormal use of the material, from any failure to adhere to recommendations, or from hazards inherent in the nature of the material. All products, services and information supplied are provided under our standard conditions of sale. You should consult our local representative if you require any further information you can call +90 850 302 41 40

Lubricant Is Our Business

Contact Us: +90 850 302 41 40

www.doill.com.tr

e-mail: info@doill.com.tr

doill

Doğan Boya Makine ve Kimya Sanayi LTD. ŞTİ.
All Right Reserved.