



GEARPLUS SYN HIGGS-B 75W/90

API GL-5 / GL-4 Doill Gear Oil For Manual Transmissions And Drive Axis

Automotiv

Fully Synthetic

Usage

Doill GEARPLUS SYN HIGGS-B 75W/90 is a fully synthetic automotiv all mechanical transmissions synchronized or non-synchronized gearboxes, gearbox/differential, transfer boxes or hypoid differentials without limited slip system, and all transmissions systems using gears, bevel gears, stepdown gears, speed reduction boxes, propeller boxes...etc. It is formulated applications requiring lubricants meeting API Service GL-5 or where EP, multi-purpose or hypoid type gear oils are specified. The stability and reliability built into **Doill GEARPLUS SYN HIGGS-B 75W/90** makes it the right choice for applications requiring API GL-5 service and SAE 75W-90 viscosity grade.

Performance

Advantages of **Doill GEARPLUS SYN HIGGS-B 75W/90** in manual transmission shifts:

- Meets API GL-5, API GL-4 performance levels.
- Provides long-lasting oil usage.
- Provides oxidation and thermal stability.
- Fully synthetic transmission oil.
- Provides excellent protection against friction for enhanced grip strength.
- It provides easy gear shifts at first start, in cold conditions of transmission temperature.
- Gear shifts are smooth.
- Suitable for all kinds of gaskets and yellow materials used in gearbox design.
- It is anti-corrosion and anti-foam.

Suggestion

Doill GEARPLUS SYN HIGGS-B 75W/90, an only be mixed with liquids of similar properties Replace the product with professional assistance. Before using the product, refer to the vehicle owner's manual. You can contact Doill for detailed information about the use of the product.

Features and Specifications

Density @ 15 °C, g/cm ³ , ASTM D4052	0.86
Kinematic Viskosity @ 100 °C, mm ² /s, ASTM D445	15,2
Kinematic Viskosity @ 40 °C, mm ² /s, ASTM D445	94,7
Viscosity Index, ASTM D2270	170
Brookfield - 40 °C, (cP), ASTM D2983	<150.000
Color, Apparance, ASTM D1500	Yellow
Flash Point, °C, Cleveland Açık Kap, ASTM D 92	225
Pour Point, °C, ASTM D 97	- 42

Features and Specifications

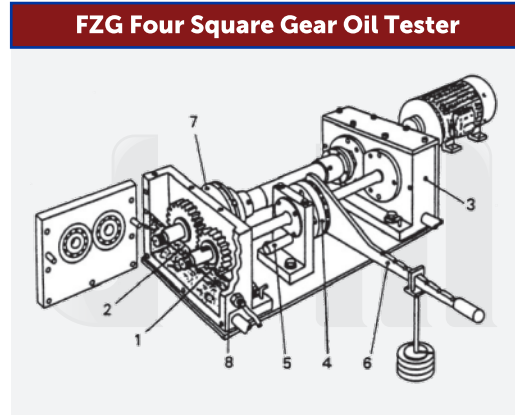
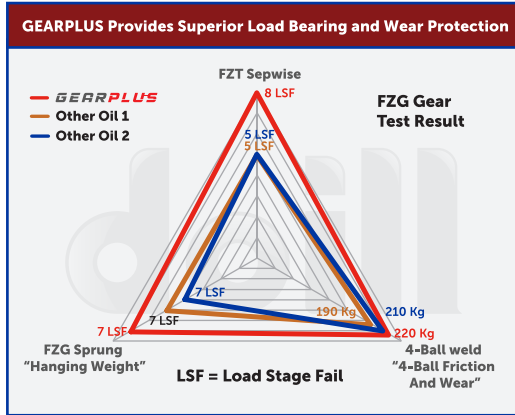
GEARPLUS
SYN 75W/90
HIGGS-B

GEARPLUS SERIES

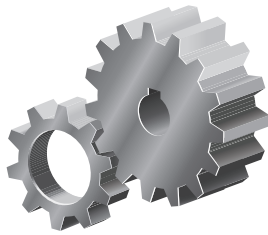
Meets or exceeds the following performance levels:

OEM GROUP	SPEIFICATION
SAE	J 306 / 75W-90
API	GL-5 / GL-4
AUDI / VW	Audi TL 52532
MIL	MIL-L-2105D

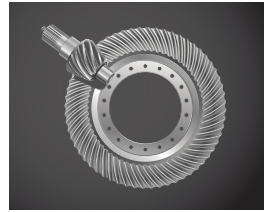
1 L | T244690910
4 L | T244693249
15 Kg | T244690893
20 L | T244692952
208 L | T244692959



Manual Transmission



1. Test Pawn
2. Test Wheel
3. Drive Gear Box
4. Rotary Coupling
5. Locking Pin
6. Load Handle With Weight
7. Torque Indicator
8. Temperature Sensor



Doill GEARPLUS SYN HIGGS-B 75W/90

22 May 2020

Doill, the Doill logo and related marks are trademarks of Doğan Boya Makine Ve Kimya Sanayi Limited Şirketi, used under license.

This data sheet and the information it contains is believed to be accurate as of the date of printing. However, no warranty or representation, express or implied, is made as to its accuracy or completeness. Data provided is based on standard tests under laboratory conditions and is given as a guide only. Users are advised to ensure that they refer to the latest version of this data sheet. It is the responsibility of the user to evaluate and use products safely, to assess suitability for the intended application and to comply with all applicable laws and regulations. Material Safety Data Sheets are available for all our products and should be consulted for appropriate information regarding storage, safe handling, and disposal of the product. No responsibility is taken by for any damage or injury resulting from abnormal use of the material, from any failure to adhere to recommendations, or from hazards inherent in the nature of the material. All products, services and information supplied are provided under our standard conditions of sale. You should consult our local representative if you require any further information you can call +90 850 302 41 40

Lubricants Are Our Business

Contact Us: +90 850 302 41 40

www.doill.com.tr

e-mail: info@doill.com.tr

doill

Doğan Boya Makine ve Kimya Sanayi LTD. ŞTİ.
All rights reserved.